



# SGM8957-1/SGM8957-2 1.8V, Micro-Power CMOS Zero-Drift Operational Amplifiers

## GENERAL DESCRIPTION

The single SGM8957-1 and dual SGM8957-2 CMOS operational amplifiers provide very low offset voltage and zero-drift over time and temperature.

The miniature, high-precision, low quiescent current amplifiers offer high-impedance inputs that have a wide input common mode range of 100mV beyond the rails and rail-to-rail output that swings within 14mV of the rails. Single or dual supplies as low as 1.8V ( $\pm 0.9V$ ) and up to 5.5V ( $\pm 2.75V$ ) may be used. They are optimized for low voltage, single-supply operation.

The SGM8957-1/-2 offer excellent CMRR without the crossover associated with traditional complementary input stages. This design results in superior performance for driving analog-to-digital converters (ADCs) without degradation of differential linearity.

The single SGM8957-1 is available in Green SOT-23-5, SC70-5 and SOIC-8 packages. The dual SGM8957-2 is available in Green SOIC-8, MSOP-8 and TDFN-3x3-8L packages. They are specified over  $-40^{\circ}C$  to  $+125^{\circ}C$  temperature range.

## FEATURES

- **Low Offset Voltage: 25 $\mu$ V (MAX)**
- **Low 0.1Hz to 10Hz Noise: 2 $\mu$ V<sub>P-P</sub>**
- **Quiescent Current: 20 $\mu$ A/Amplifier (TYP)**
- **Single-Supply Operation**
- **Integrated RFI Filter**
- **Supply Voltage Range: 1.8V to 5.5V**
- **Rail-to-Rail Input/Output**
- **$-40^{\circ}C$  to  $+125^{\circ}C$  Operating Temperature Range**
- **Small Packaging:**
  - SGM8957-1 Available in Green SOT-23-5, SC70-5 and SOIC-8 Packages**
  - SGM8957-2 Available in Green SOIC-8, MSOP-8 and TDFN-3x3-8L Packages**

## APPLICATIONS

Transducer Applications  
Temperature Measurements  
Electronic Scales  
Medical Instrumentation  
Battery-Powered Instruments  
Handheld Test Equipment

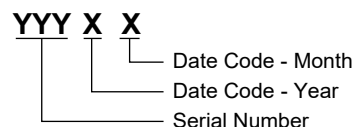
**PACKAGE/ORDERING INFORMATION**

MODEL	PACKAGE DESCRIPTION	SPECIFIED TEMPERATURE RANGE	ORDERING NUMBER	PACKAGE MARKING	PACKING OPTION
SGM8957-1	SOT-23-5	-40°C to +125°C	SGM8957-1XN5G/TR	SYBXX	Tape and Reel, 3000
	SC70-5	-40°C to +125°C	SGM8957-1XC5G/TR	SYCXX	Tape and Reel, 3000
	SOIC-8	-40°C to +125°C	SGM8957-1XS8G/TR	SGM 89571XS8 XXXXX	Tape and Reel, 2500
SGM8957-2	SOIC-8	-40°C to +125°C	SGM8957-2XS8G/TR	SGM 89572XS8 XXXXX	Tape and Reel, 2500
	MSOP-8	-40°C to +125°C	SGM8957-2XMS8G/TR	SGM89572 XMS8 XXXXX	Tape and Reel, 4000
	TDFN-3x3-8L	-40°C to +125°C	SGM8957-2XTDB8G/TR	SGM 09DB XXXXX	Tape and Reel, 4000

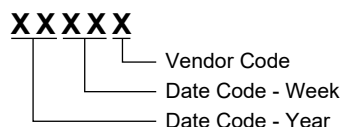
**MARKING INFORMATION**

NOTE: XX = Date Code. XXXXX = Date Code and Vendor Code.

**SOT-23-5/SC70-5**



**SOIC-8/MSOP-8/TDFN-3x3-8L**



Green (RoHS & HSF): SG Micro Corp defines "Green" to mean Pb-Free (RoHS compatible) and free of halogen substances. If you have additional comments or questions, please contact your SGMICRO representative directly.

**ABSOLUTE MAXIMUM RATINGS**

- Supply Voltage.....6V
- Input Common Mode Voltage Range  
..... (-V<sub>S</sub>) - 0.3V to (+V<sub>S</sub>) + 0.3V
- Junction Temperature.....+150°C
- Storage Temperature Range .....-65°C to +150°C
- Lead Temperature (Soldering, 10s).....+260°C
- ESD Susceptibility
- HBM.....4000V
- MM.....400V
- CDM .....1000V

**RECOMMENDED OPERATING CONDITIONS**

- Specified Voltage Range .....1.8V to 5.5V
- Operating Temperature Range .....-40°C to +125°C

**OVERSTRESS CAUTION**

Stresses beyond those listed in Absolute Maximum Ratings may cause permanent damage to the device. Exposure to

absolute maximum rating conditions for extended periods may affect reliability. Functional operation of the device at any conditions beyond those indicated in the Recommended Operating Conditions section is not implied.

**ESD SENSITIVITY CAUTION**

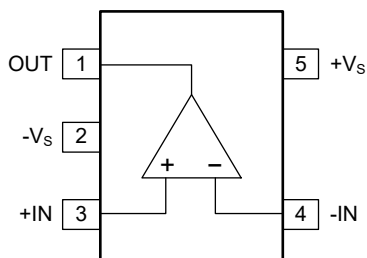
This integrated circuit can be damaged by ESD if you don't pay attention to ESD protection. SGMICRO recommends that all integrated circuits be handled with appropriate precautions. Failure to observe proper handling and installation procedures can cause damage. ESD damage can range from subtle performance degradation to complete device failure. Precision integrated circuits may be more susceptible to damage because very small parametric changes could cause the device not to meet its published specifications.

**DISCLAIMER**

SG Micro Corp reserves the right to make any change in circuit design, or specifications without prior notice.

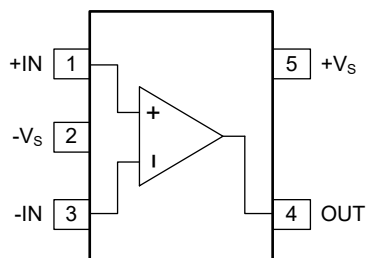
**PIN CONFIGURATIONS**

**SGM8957-1 (TOP VIEW)**



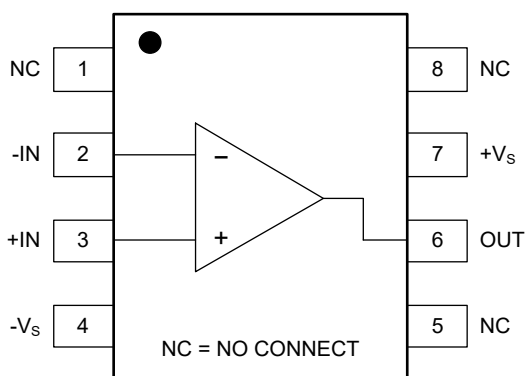
**SOT-23-5**

**SGM8957-1 (TOP VIEW)**



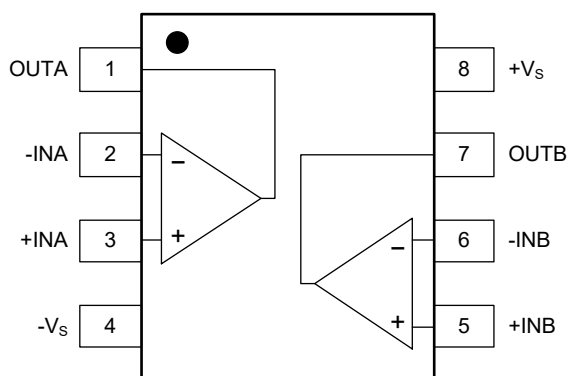
**SC70-5**

**SGM8957-1 (TOP VIEW)**



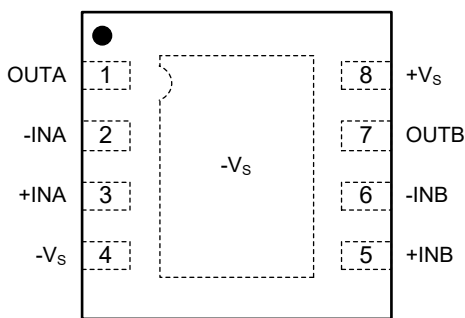
**SOIC-8**

**SGM8957-2 (TOP VIEW)**



**SOIC-8/MSOP-8**

**SGM8957-2 (TOP VIEW)**



**TDFN-3x3-8L**

NOTE: For TDFN-3x3-8L package, exposed pad can be connected to  $-V_s$  or left floating.

**ELECTRICAL CHARACTERISTICS**

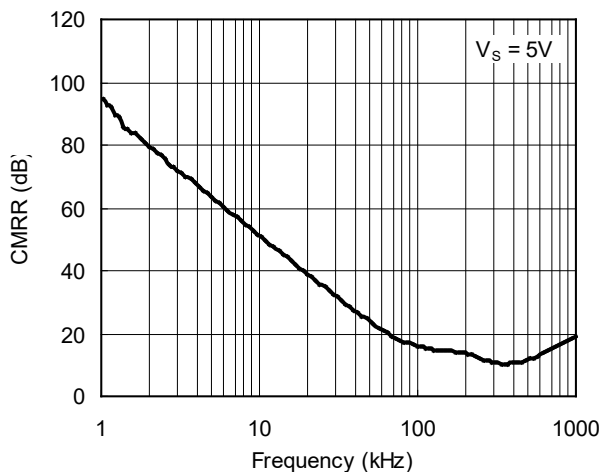
(At  $T_A = +25^\circ\text{C}$ ,  $V_S = 1.8\text{V}$  to  $5.5\text{V}$ ,  $V_{CM} = V_S/2$ ,  $V_{OUT} = V_S/2$  and  $R_L = 10\text{k}\Omega$  to  $V_S/2$ , Full =  $-40^\circ\text{C}$  to  $+125^\circ\text{C}$ , unless otherwise noted.)

PARAMETER	CONDITIONS	TEMP	MIN	TYP	MAX	UNITS
<b>Input Characteristics</b>						
Input Offset Voltage ( $V_{OS}$ )	$V_S = 5\text{V}$	$+25^\circ\text{C}$		14	25	$\mu\text{V}$
		Full			55	
Input Offset Voltage Drift ( $\Delta V_{OS}/\Delta T$ )		Full		0.08		$\mu\text{V}/^\circ\text{C}$
Input Bias Current ( $I_B$ )		$+25^\circ\text{C}$		130		$\text{pA}$
Input Common Mode Voltage Range ( $V_{CM}$ )		Full	$(-V_S) - 0.1$		$(+V_S) + 0.1$	$\text{V}$
Common Mode Rejection Ratio (CMRR)	$(-V_S) - 0.1\text{V} < V_{CM} < (+V_S) + 0.1\text{V}$	$+25^\circ\text{C}$	89	100		$\text{dB}$
		Full	85			
Open-Loop Voltage Gain ( $A_{OL}$ )	$(-V_S) + 0.1\text{V} < V_{OUT} < (+V_S) - 0.1\text{V}$ , $R_L = 10\text{k}\Omega$	$+25^\circ\text{C}$	95	121		$\text{dB}$
		Full	94			
<b>Input Impedance</b>						
Differential		$+25^\circ\text{C}$		$10^9$		$\Omega$
Common Mode		$+25^\circ\text{C}$		$10^9$		$\Omega$
<b>Output Characteristics</b>						
Output Voltage Swing from Rail	$R_L = 10\text{k}\Omega$	$+25^\circ\text{C}$		14	25	$\text{mV}$
		Full			27	
Short-Circuit Current ( $I_{SC}$ )	$V_S = 1.8\text{V}$	$+25^\circ\text{C}$		6		$\text{mA}$
	$V_S = 5\text{V}$	$+25^\circ\text{C}$		60		
Open-Loop Output Impedance	$f = 350\text{kHz}$ , $I_{OUT} = 0$	$+25^\circ\text{C}$		1		$\text{k}\Omega$
<b>Power Supply</b>						
Specified Voltage Range ( $V_S$ )		Full	1.8		5.5	$\text{V}$
Power Supply Rejection Ratio (PSRR)	$V_S = 1.8\text{V}$ to $5.5\text{V}$	$+25^\circ\text{C}$		4	20	$\mu\text{V}/\text{V}$
		Full			25	
Quiescent Current/Amplifier ( $I_Q$ )	$I_{OUT} = 0$	$+25^\circ\text{C}$		20	37	$\mu\text{A}$
		Full			48	
Turn-On Time	$V_S = 5\text{V}$	$+25^\circ\text{C}$		220		$\mu\text{s}$
<b>Dynamic Performance</b>						
Gain-Bandwidth Product (GBP)	$C_L = 100\text{pF}$	$+25^\circ\text{C}$		350		$\text{kHz}$
Slew Rate (SR)	$G = +1$	$+25^\circ\text{C}$		0.18		$\text{V}/\mu\text{s}$
<b>Noise</b>						
Input Voltage Noise	$f = 0.1\text{Hz}$ to $10\text{Hz}$	$+25^\circ\text{C}$		2		$\mu\text{V}_{P-P}$

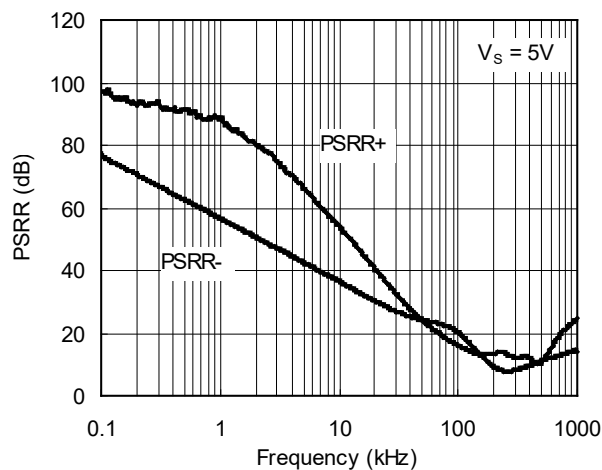
**TYPICAL PERFORMANCE CHARACTERISTICS**

At  $T_A = +25^\circ\text{C}$ ,  $V_S = 5\text{V}$  and  $C_L = 0\text{pF}$ , unless otherwise noted.

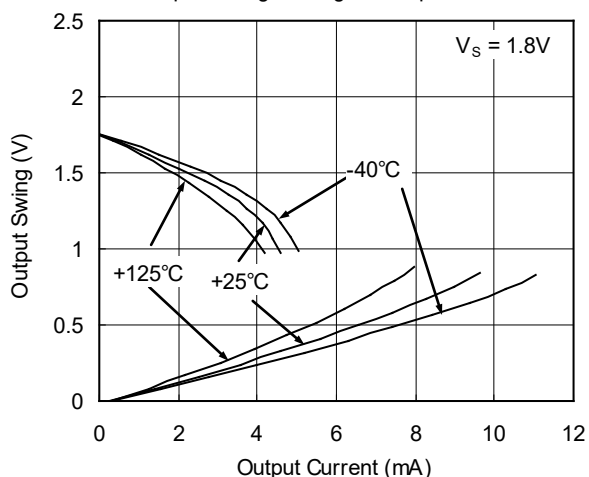
Common Mode Rejection Ratio vs. Frequency



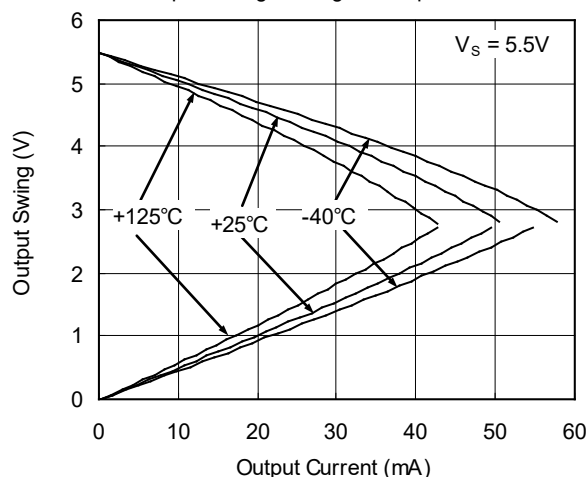
Power Supply Rejection Ratio vs. Frequency



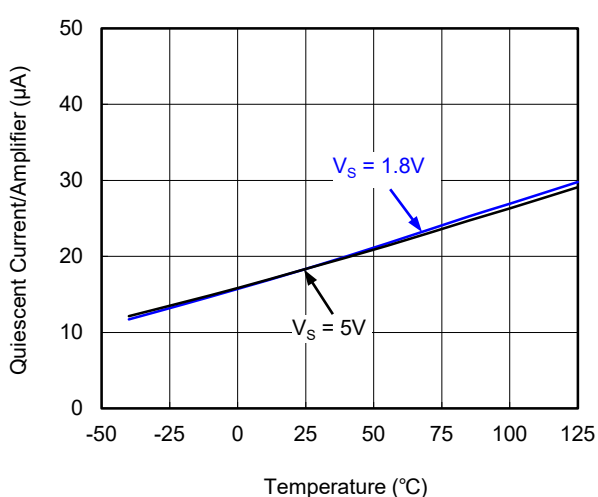
Output Voltage Swing vs. Output Current



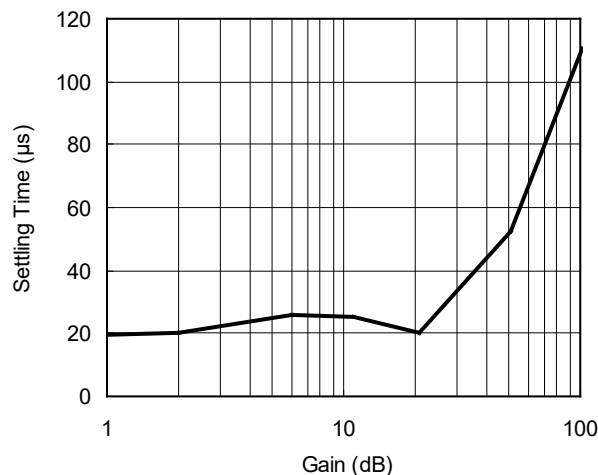
Output Voltage Swing vs. Output Current



Quiescent Current vs. Temperature



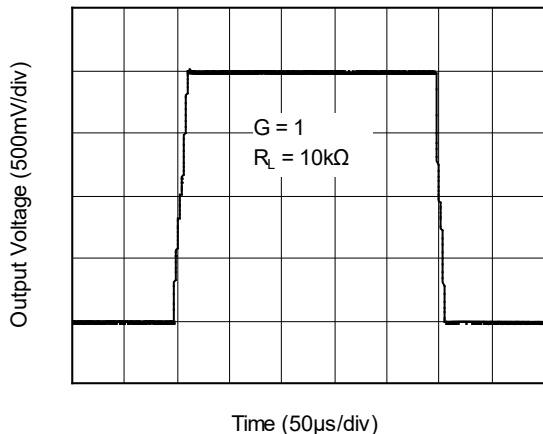
Settling Time vs. Closed-Loop Gain



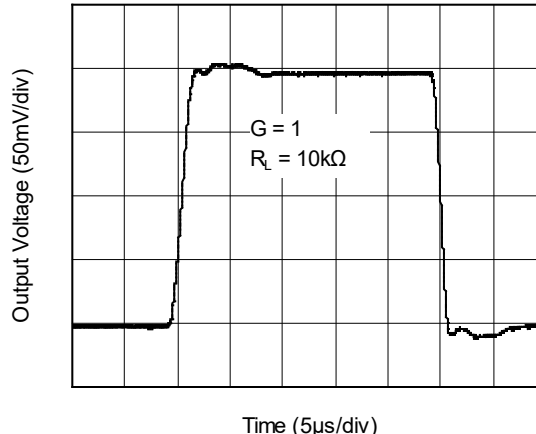
**TYPICAL PERFORMANCE CHARACTERISTICS (continued)**

At  $T_A = +25^\circ\text{C}$ ,  $V_S = 5\text{V}$  and  $C_L = 0\text{pF}$ , unless otherwise noted.

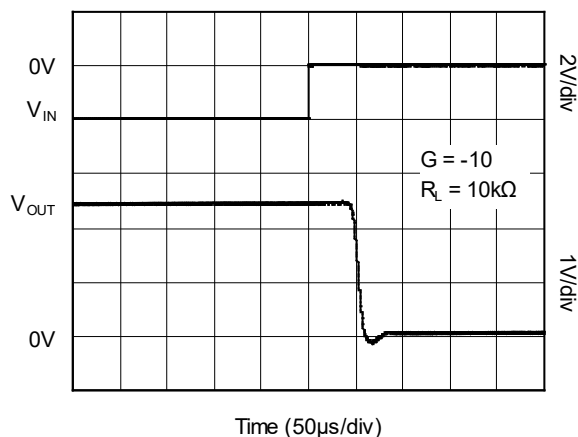
Large-Signal Step Response



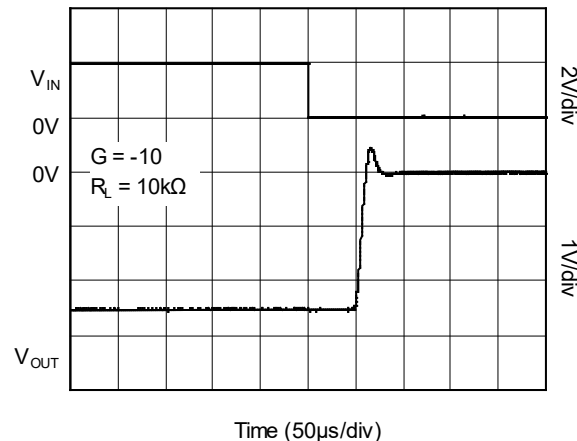
Small-Signal Step Response



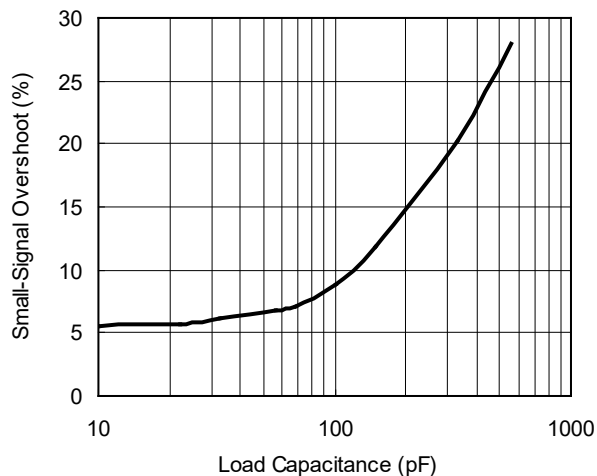
Positive Over-Voltage Recovery



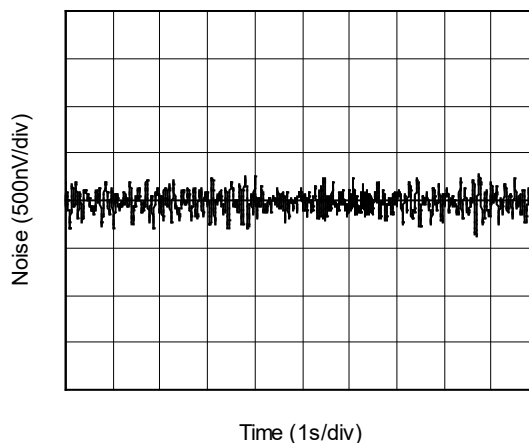
Negative Over-Voltage Recovery



Small-Signal Overshoot vs. Load Capacitance

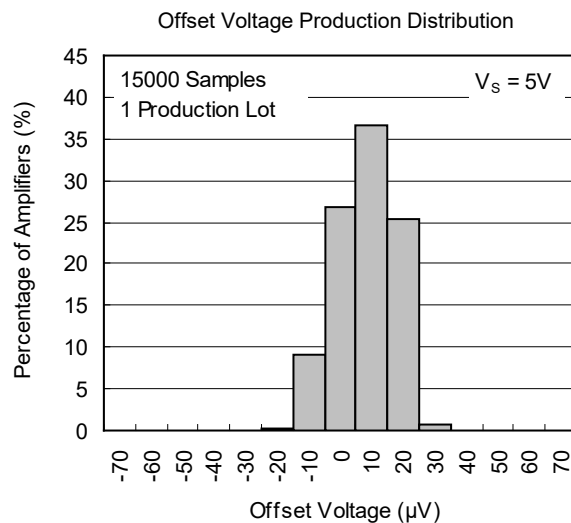
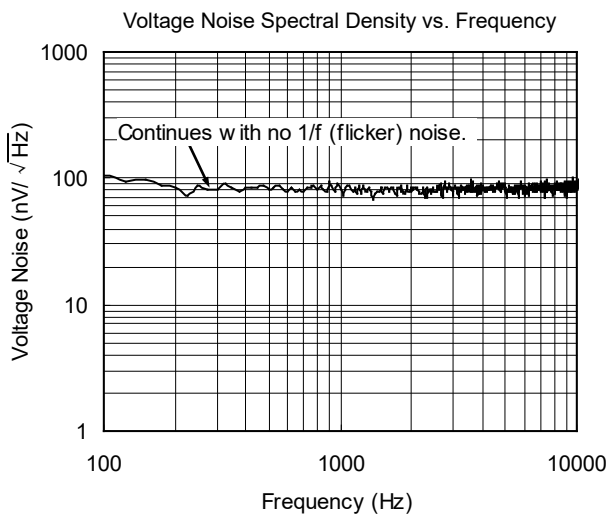


0.1Hz to 10Hz Noise



**TYPICAL PERFORMANCE CHARACTERISTICS (continued)**

At  $T_A = +25^\circ\text{C}$ ,  $V_S = 5\text{V}$  and  $C_L = 0\text{pF}$ , unless otherwise noted.



**APPLICATION INFORMATION**

The SGM8957-1 and SGM8957-2 are unity-gain stable and free from unexpected output phase reversal. They provide low offset voltage and very low drift over time and temperature. For lowest offset voltage and precision performance, circuit layout and mechanical conditions should be optimized. Avoid temperature gradients that create thermoelectric (Seebeck) effects in the thermocouple junctions formed from connecting dissimilar conductors. These thermally-generated potentials can be made to cancel by ensuring they are equal on both input terminals. Other layout and design considerations include:

- Use low thermoelectric-coefficient conditions (avoid dissimilar metals).
- Thermally isolate components from power supplies or other heat sources.
- Shield operational amplifier and input circuitry from air currents, such as cooling fans.

Following these guidelines will reduce the likelihood of junctions at different temperatures, which can cause thermoelectric voltages of 0.08µV/°C or higher, depending on materials used.

**Operating Voltage**

The SGM8957-1/2 operational amplifiers operate over a power supply range of 1.8V to 5.5V (±0.9V to ±2.75V). Supply voltages higher than 6V (absolute maximum) can permanently damage the device.

**Input Voltage**

The SGM8957-1/2 input common mode voltage range extends 0.1V beyond the supply rails. The SGM8957-1 is designed to cover the full range without the troublesome transition region found in some other rail-to-rail amplifiers.

Normally, input bias current is about 130pA; however, input voltages exceeding the power supplies can cause excessive current flowing into or out of the input pins. Momentary voltages greater than the power supply can be tolerated if the input current is limited to 10mA. This limitation is easily accomplished with an input resistor, as shown in Figure 1.

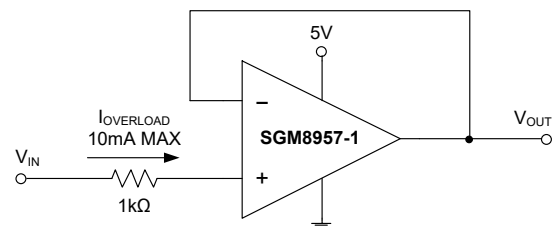
**Internal Offset Correction**

The SGM8957-1/2 operational amplifiers use an auto-calibration technique with a time-continuous 350kHz operational amplifier in the signal path. Upon power-up,

the amplifier requires approximately 220µs to achieve specified V<sub>OS</sub> accuracy.

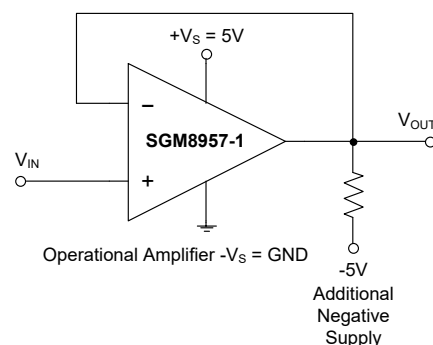
**Achieving Output Swing to the Operational Amplifier Negative Rail**

Some applications require output voltage swings from 0V to a positive full-scale voltage (such as 2.5V) with excellent accuracy. With most single-supply operational amplifiers, problems arise when the output signal approaches 0V, near the lower output swing limit of a single-supply operational amplifier. A good single-supply operational amplifier may swing close to single-supply ground, but will not reach ground. The output of the SGM8957-1/2 can be made to swing to ground, or slightly below, on a single-supply power source. To do so requires the use of another resistor and an additional, more negative, power supply than the operational amplifier negative supply. A pull-down resistor may be connected between the output and the additional negative supply to pull the output down below the value that the output would otherwise achieve, as shown in Figure 2.



NOTE: Current-limit resistor required if input voltage exceeds supply rails by ≥ 0.5V.

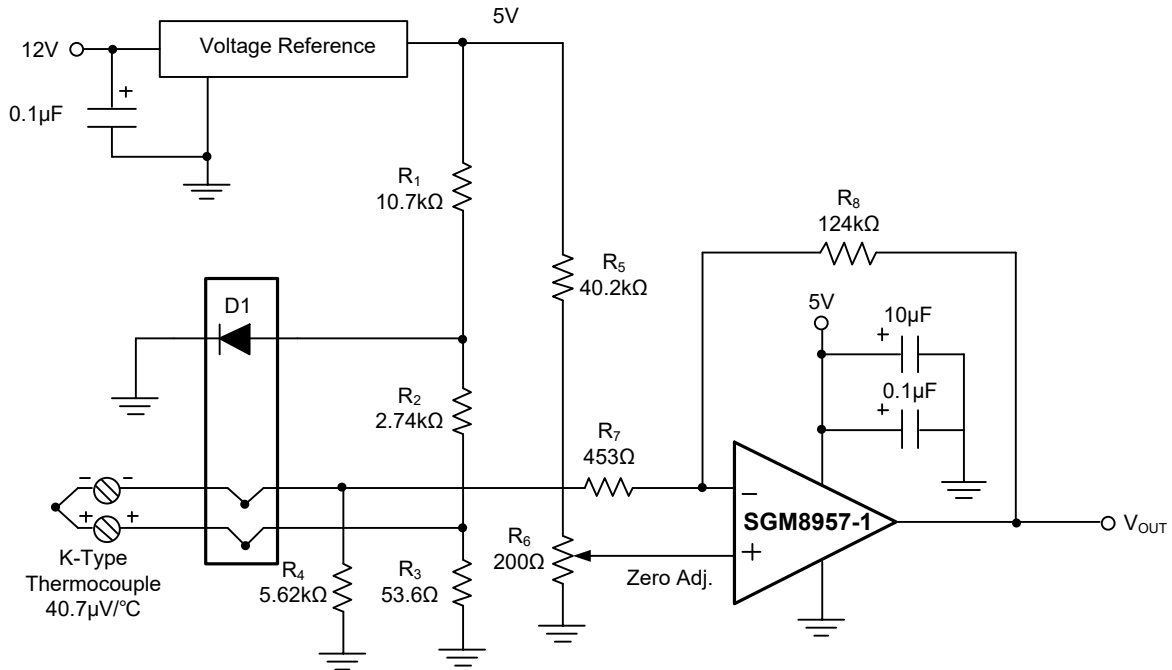
**Figure 1. Input Current Protection**



**Figure 2. For V<sub>OUT</sub> Range to Ground**



**APPLICATION INFORMATION (continued)**



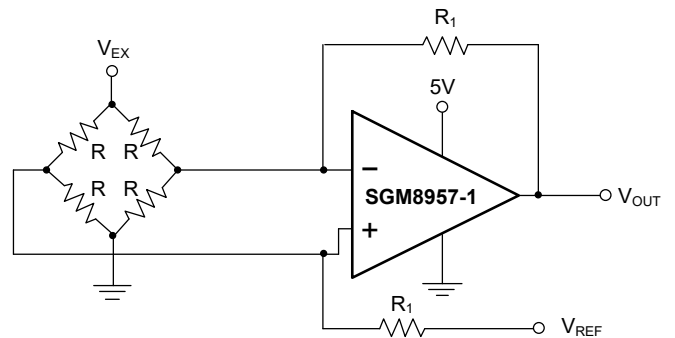
**Figure 3. Temperature Measurement**

**General Layout Guidelines**

Attention to good layout practices is always recommended. Keep traces short and, when possible, use a printed circuit board (PCB) ground plane with surface-mount components placed as close to the device pins as possible. Place a 0.1µF capacitor closely across the supply pins. These guidelines should be applied throughout the analog circuit to improve performance and provide benefits such as reducing the EMI (electromagnetic interference) susceptibility. Operational amplifiers vary in their susceptibility to radio frequency interference (RFI). RFI can generally be identified as a variation in offset voltage or DC signal levels with changes in the interfering RF signal. The SGM8957-1/2 have been specifically designed to minimize susceptibility to RFI and demonstrate remarkably low sensitivity. Strong RF fields may still cause varying offset levels.

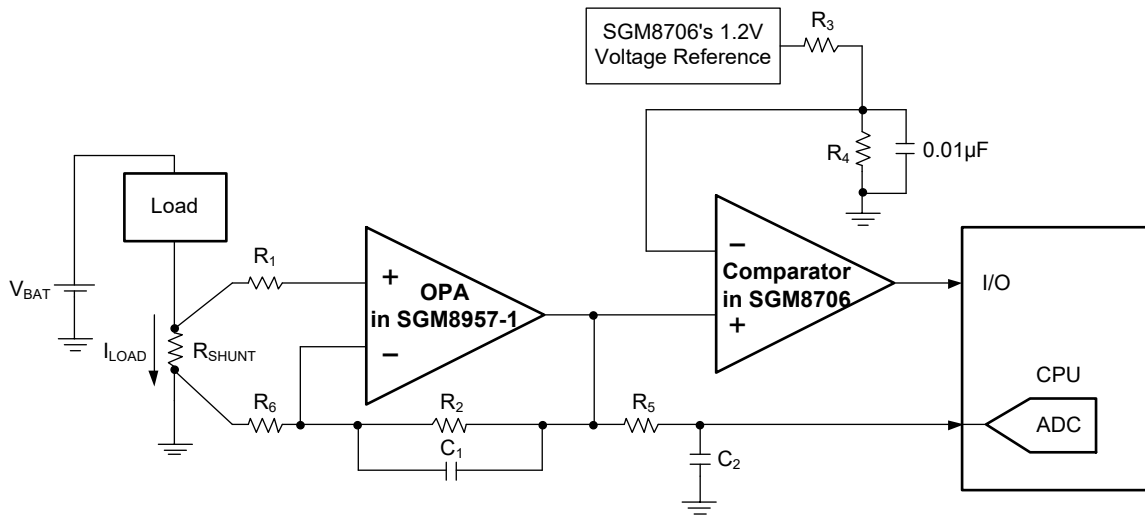
Figure 4 shows the basic configuration for a bridge amplifier.

A low-side current shunt monitor is shown in Figure 5.  $R_N$  are operational resistors used to isolate the ADC from the noise of the digital I<sup>2</sup>C bus. Since the ADC is a 16-bit converter, a precision reference is essential for maximum accuracy. Related application circuits are shown in Figure 6 ~ 8.

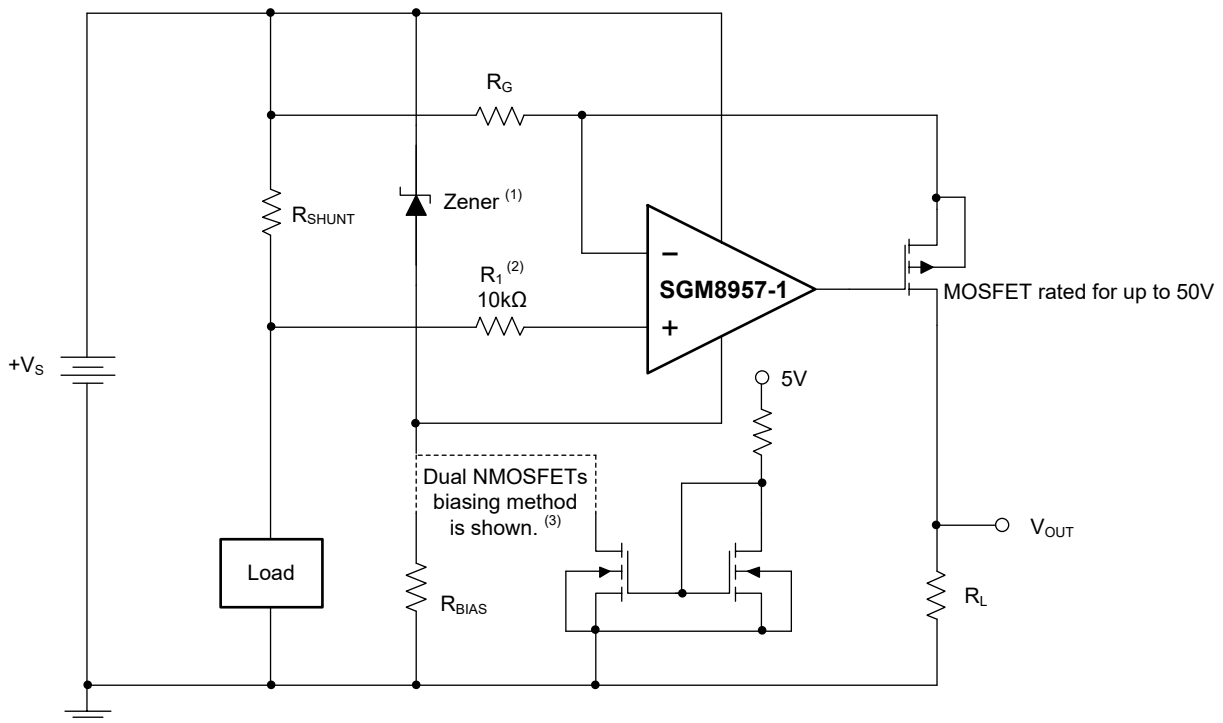


**Figure 4. Bridge Amplifier Configuration**

**APPLICATION INFORMATION (continued)**



**Figure 5. Low-side Current Shunt Monitor**



NOTES: (1) Zener rated for operational amplifier supply capability (that is, 5.1V for SGM8957-1 and SGM8957-2).  
(2) Current-limit resistor.  
(3) Choose Zener biasing resistor or dual NMOSFETs.

**Figure 6. High-side Current Shunt Monitor**

APPLICATION INFORMATION (continued)

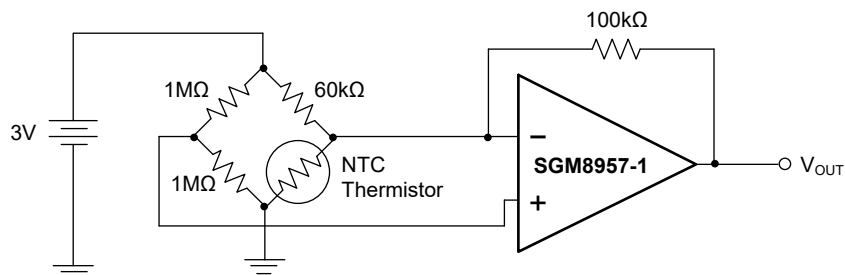


Figure 7. Thermistor Measurement

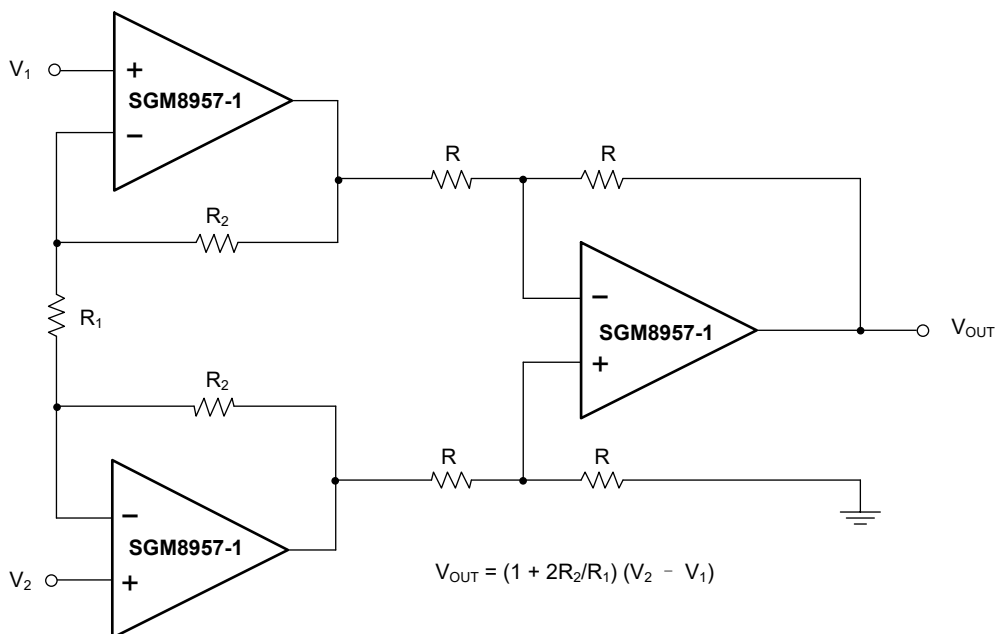


Figure 8. Precision Instrumentation Amplifier Configuration

## REVISION HISTORY

NOTE: Page numbers for previous revisions may differ from page numbers in the current version.

<b>OCTOBER 2016 – REV.A.1 to REV.A.2</b>	<b>Page</b>
Changed Typical Performance Characteristics section .....	5

---

<b>APRIL 2016 – REV.A to REV.A.1</b>	<b>Page</b>
Added SOIC-8 and MSOP-8 packages .....	All

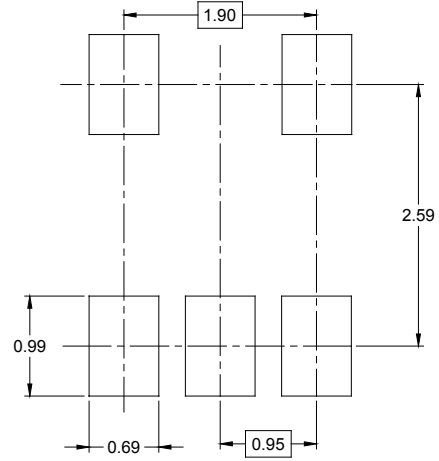
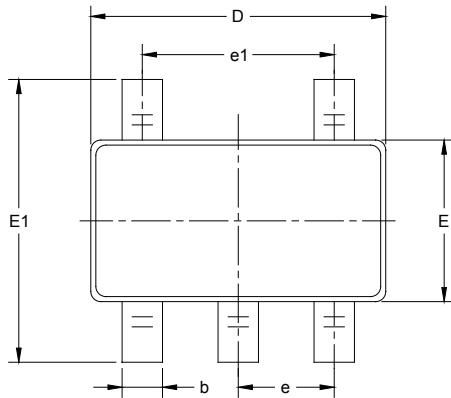
---

<b>Changes from Original (SEPTEMBER 2015) to REV.A</b>	<b>Page</b>
Changed from product preview to production data .....	All

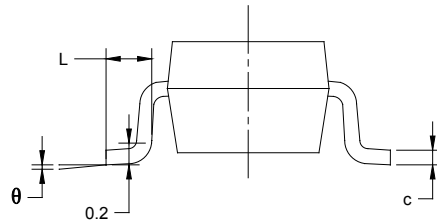
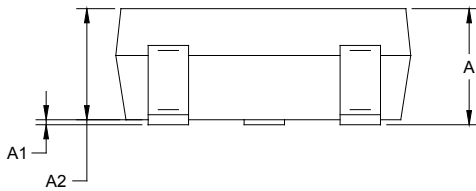
---

PACKAGE OUTLINE DIMENSIONS

SOT-23-5



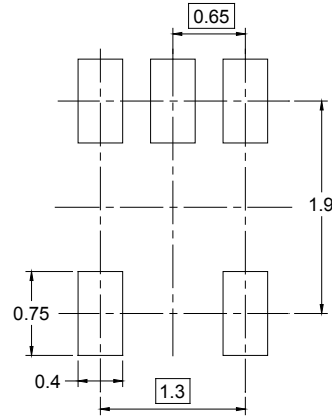
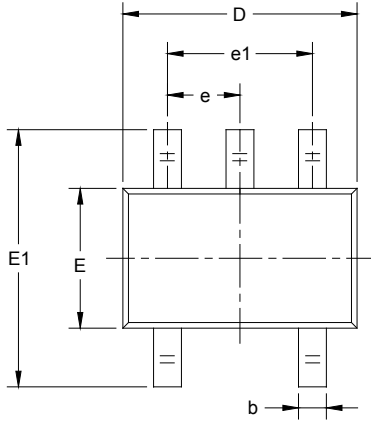
RECOMMENDED LAND PATTERN (Unit: mm)



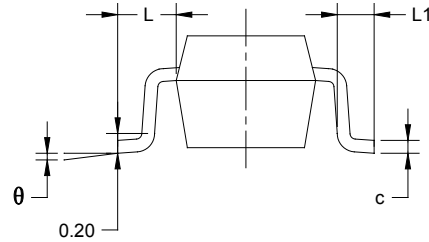
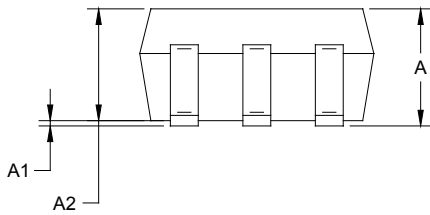
Symbol	Dimensions In Millimeters		Dimensions In Inches	
	MIN	MAX	MIN	MAX
A	1.050	1.250	0.041	0.049
A1	0.000	0.100	0.000	0.004
A2	1.050	1.150	0.041	0.045
b	0.300	0.500	0.012	0.020
c	0.100	0.200	0.004	0.008
D	2.820	3.020	0.111	0.119
E	1.500	1.700	0.059	0.067
E1	2.650	2.950	0.104	0.116
e	0.950 BSC		0.037 BSC	
e1	1.900 BSC		0.075 BSC	
L	0.300	0.600	0.012	0.024
$\theta$	0°	8°	0°	8°

PACKAGE OUTLINE DIMENSIONS

SC70-5



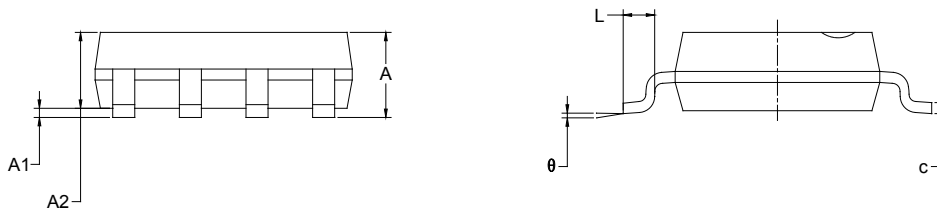
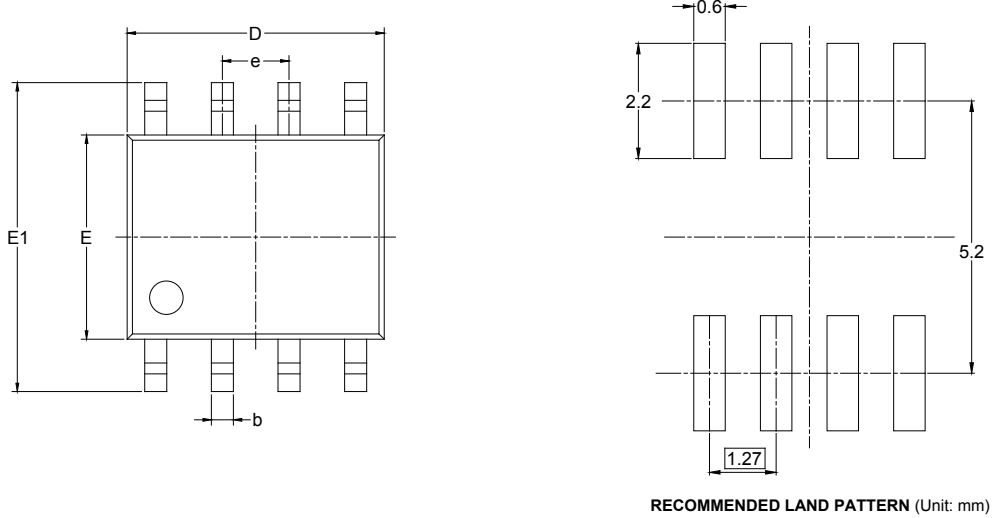
RECOMMENDED LAND PATTERN (Unit: mm)



Symbol	Dimensions In Millimeters		Dimensions In Inches	
	MIN	MAX	MIN	MAX
A	0.900	1.100	0.035	0.043
A1	0.000	0.100	0.000	0.004
A2	0.900	1.000	0.035	0.039
b	0.150	0.350	0.006	0.014
c	0.080	0.150	0.003	0.006
D	2.000	2.200	0.079	0.087
E	1.150	1.350	0.045	0.053
E1	2.150	2.450	0.085	0.096
e	0.65 TYP		0.026 TYP	
e1	1.300 BSC		0.051 BSC	
L	0.525 REF		0.021 REF	
L1	0.260	0.460	0.010	0.018
$\theta$	0°	8°	0°	8°

PACKAGE OUTLINE DIMENSIONS

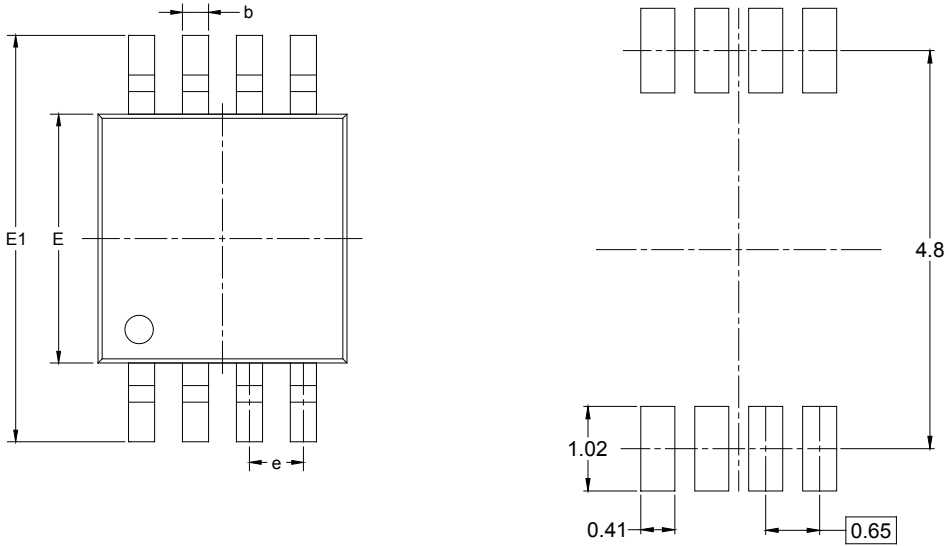
SOIC-8



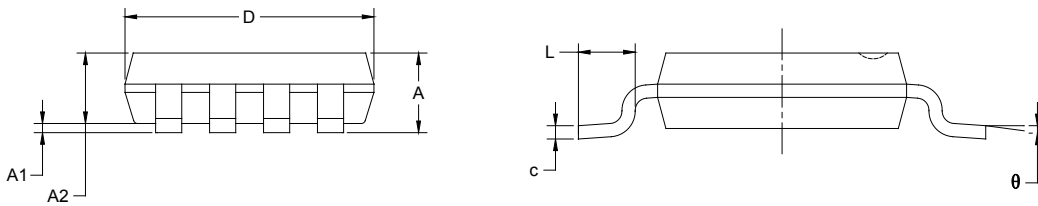
Symbol	Dimensions In Millimeters		Dimensions In Inches	
	MIN	MAX	MIN	MAX
A	1.350	1.750	0.053	0.069
A1	0.100	0.250	0.004	0.010
A2	1.350	1.550	0.053	0.061
b	0.330	0.510	0.013	0.020
c	0.170	0.250	0.006	0.010
D	4.700	5.100	0.185	0.200
E	3.800	4.000	0.150	0.157
E1	5.800	6.200	0.228	0.244
e	1.27 BSC		0.050 BSC	
L	0.400	1.270	0.016	0.050
θ	0°	8°	0°	8°

PACKAGE OUTLINE DIMENSIONS

MSOP-8



RECOMMENDED LAND PATTERN (Unit: mm)

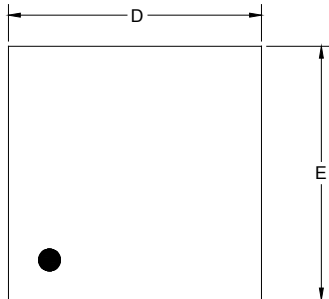


Symbol	Dimensions In Millimeters		Dimensions In Inches	
	MIN	MAX	MIN	MAX
A	0.820	1.100	0.032	0.043
A1	0.020	0.150	0.001	0.006
A2	0.750	0.950	0.030	0.037
b	0.250	0.380	0.010	0.015
c	0.090	0.230	0.004	0.009
D	2.900	3.100	0.114	0.122
E	2.900	3.100	0.114	0.122
E1	4.750	5.050	0.187	0.199
e	0.650 BSC		0.026 BSC	
L	0.400	0.800	0.016	0.031
θ	0°	6°	0°	6°

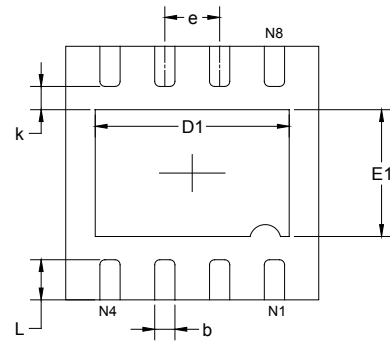


PACKAGE OUTLINE DIMENSIONS

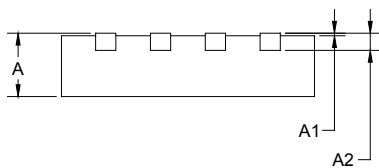
TDFN-3x3-8L



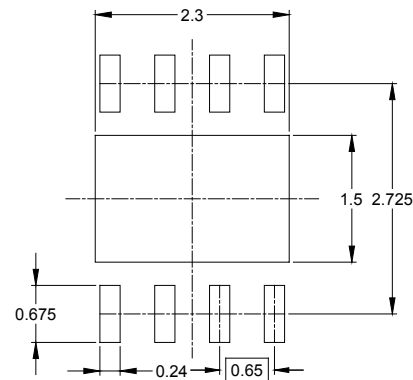
TOP VIEW



BOTTOM VIEW



SIDE VIEW



RECOMMENDED LAND PATTERN (Unit: mm)

Symbol	Dimensions In Millimeters		Dimensions In Inches	
	MIN	MAX	MIN	MAX
A	0.700	0.800	0.028	0.031
A1	0.000	0.050	0.000	0.002
A2	0.203 REF		0.008 REF	
D	2.900	3.100	0.114	0.122
D1	2.200	2.400	0.087	0.094
E	2.900	3.100	0.114	0.122
E1	1.400	1.600	0.055	0.063
k	0.200 MIN		0.008 MIN	
b	0.180	0.300	0.007	0.012
e	0.650 TYP		0.026 TYP	
L	0.375	0.575	0.015	0.023

# PACKAGE INFORMATION

## TAPE AND REEL INFORMATION

### REEL DIMENSIONS



### TAPE DIMENSIONS



NOTE: The picture is only for reference. Please make the object as the standard.

### KEY PARAMETER LIST OF TAPE AND REEL

Package Type	Reel Diameter	Reel Width W1 (mm)	A0 (mm)	B0 (mm)	K0 (mm)	P0 (mm)	P1 (mm)	P2 (mm)	W (mm)	Pin1 Quadrant
SOT-23-5	7"	9.5	3.20	3.20	1.40	4.0	4.0	2.0	8.0	Q3
SC70-5	7"	9.5	2.25	2.55	1.20	4.0	4.0	2.0	8.0	Q3
SOIC-8	13"	12.4	6.40	5.40	2.10	4.0	8.0	2.0	12.0	Q1
MSOP-8	13"	12.4	5.20	3.30	1.50	4.0	8.0	2.0	12.0	Q1
TDFN-3×3-8L	13"	12.4	3.35	3.35	1.13	4.0	8.0	2.0	12.0	Q1

D20001

# PACKAGE INFORMATION

## CARTON BOX DIMENSIONS



NOTE: The picture is only for reference. Please make the object as the standard.

## KEY PARAMETER LIST OF CARTON BOX

Reel Type	Length (mm)	Width (mm)	Height (mm)	Pizza/Carton
7" (Option)	368	227	224	8
7"	442	410	224	18
13"	386	280	370	5

DD0002