



SGM8535/6/7/8 1.5MHz, Rail-to-Rail Output Operational Amplifiers

PRODUCT DESCRIPTION

The SGM8535 (single), SGM8536 (dual), SGM8537 (single with shutdown) and SGM8538 (quad) are rail-to-rail output voltage feedback amplifiers. They have a wide input common mode voltage range and output voltage swing, and take the minimum operating supply voltage down to 1.8V. The maximum recommended supply voltage is 5.5V.

The SGM8535/6/7/8 provide 1.5MHz bandwidth at a low current consumption of 80 μ A per amplifier. Very low input bias currents enable SGM8535/6/7/8 to be used for integrators, photodiode amplifiers, and piezoelectric sensors. Rail-to-rail outputs are useful to designers for buffering ASIC in single-supply systems.

Applications for these amplifiers include safety monitoring, portable equipment, battery and power supply control, signal conditioning and interfacing for transducers in very low power systems.

The SGM8535/6/7/8 are specified over the extended -40°C to +85°C temperature range. The SGM8535 single is available in Green SOT-23-5, SC70-5, MSOP-8 and SOIC-8 packages. The SGM8536 dual is available in Green SOIC-8 and MSOP-8 packages. The SGM8537 single with shutdown is available in Green SOT-23-6, MSOP-8 and SOIC-8 packages. The SGM8538 quad is available in Green SOIC-14 and TSSOP-14 packages.

FEATURES

- Rail-to-Rail Output
- Low Input Offset Voltage: 0.6mV (TYP)
- Unity Gain Stable
- Gain-Bandwidth Product: 1.5MHz
- Supply Voltage Range: 1.8V to 5.5V
- Low Supply Current
 - 80 μ A/Amplifier (TYP)
 - 0.1 μ A Shutdown Current for SGM8537
- Small Packaging:
 - SGM8535 Available in SOT-23-5, SC70-5, SOIC-8 and MSOP-8
 - SGM8536 Available in MSOP-8 and SOIC-8
 - SGM8537 Available in SOT-23-6, SOIC-8 and MSOP-8
 - SGM8538 Available in SOIC-14 and TSSOP-14

APPLICATIONS

ASIC Input or Output Amplifier
Sensor Interface
Piezoelectric Transducer Amplifier
Medical Instrumentation
Mobile Communication
Audio Output
Portable Systems
Smoke Detectors
Mobile Telephone
Notebook PC
PCMCIA Cards
Battery-Powered Equipment

1.5MHz, Rail-to-Rail Output Operational Amplifiers

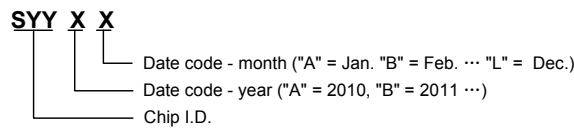
SGM8535/6/7/8

PACKAGE/ORDERING INFORMATION

MODEL	ORDER NUMBER	PACKAGE DESCRIPTION	PACKAGE OPTION	MARKING INFORMATION
SGM8535	SGM8535AYN5G/TR	SOT-23-5	Tape and Reel, 3000	SB2XX
	SGM8535BYN5G/TR	SOT-23-5	Tape and Reel, 3000	SB3XX
	SGM8535YC5G/TR	SC70-5	Tape and Reel, 3000	SB4XX
	SGM8535YS8G/TR	SOIC-8	Tape and Reel, 2500	SGM8535YS8
	SGM8535YMS8G/TR	MSOP-8	Tape and Reel, 3000	SGM8535YMS8
SGM8536	SGM8536YMS8G/TR	MSOP-8	Tape and Reel, 3000	SGM8536YMS8
	SGM8536YS8G/TR	SOIC-8	Tape and Reel, 2500	SGM8536YS8
SGM8537	SGM8537YN6G/TR	SOT-23-6	Tape and Reel, 3000	SB5XX
	SGM8537YS8G/TR	SOIC-8	Tape and Reel, 2500	SGM8537YS8
	SGM8537YMS8G/TR	MSOP-8	Tape and Reel, 3000	SGM8537YMS8
SGM8538	SGM8538YS14G/TR	SOIC-14	Tape and Reel, 2500	SGM8538YS14
	SGM8538YTS14G/TR	TSSOP-14	Tape and Reel, 3000	SGM8538YTS14

NOTE: Package marking is defined as the follow:

MARKING INFORMATION



For example: SB2BA (2011, January)

ABSOLUTE MAXIMUM RATINGS

Supply Voltage, +V _S to -V _S	6V
Common Mode Input Voltage.....	-0.1V to +V _S - 1.3V
Storage Temperature Range.....	-65°C to +150°C
Junction Temperature	150°C
Operating Temperature Range.....	-40°C to +85°C
Lead Temperature (Soldering 10sec)	260°C
ESD Susceptibility	
HBM (SGM8535/6/8).....	8000V
HBM (SGM8537).....	3000V
MM	400V

NOTE:

Stresses beyond those listed under "Absolute Maximum Ratings" may cause permanent damage to the device. These are stress ratings only, and functional operation of the device at these or any other conditions beyond those indicated in the operational sections of the specifications is not implied. Exposure to absolute maximum rating conditions for extended periods may affect device reliability.

CAUTION

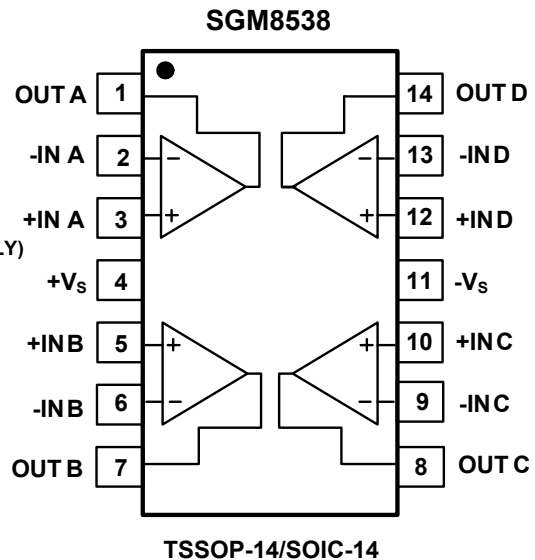
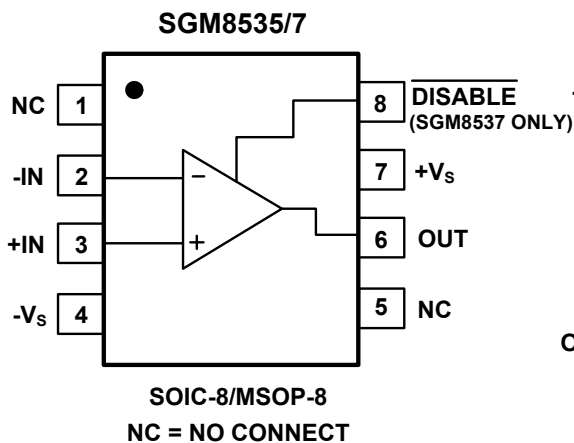
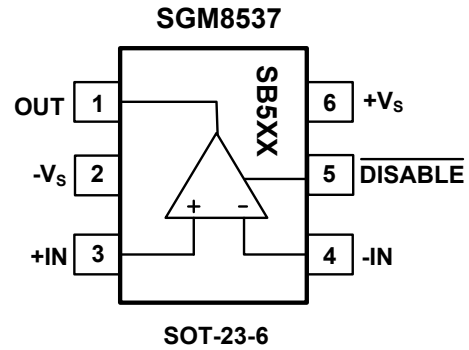
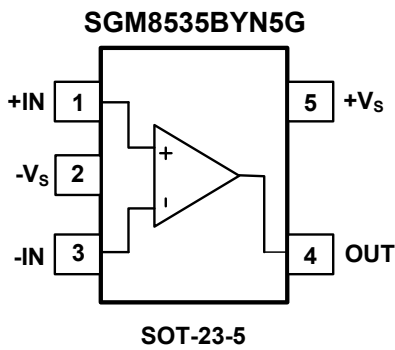
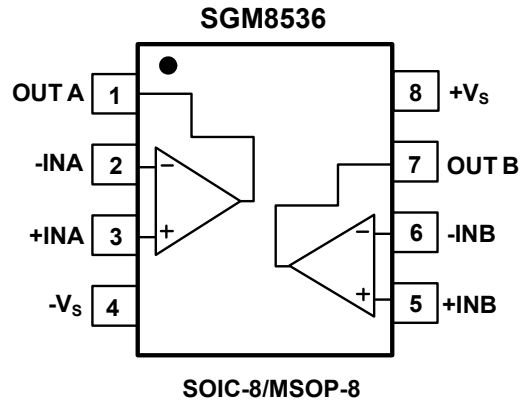
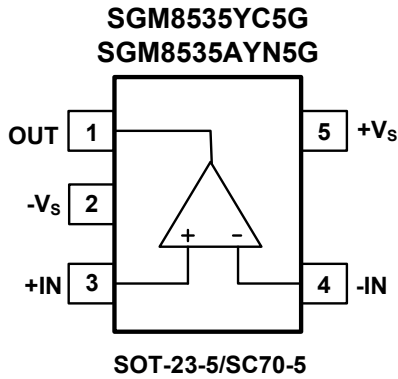
This integrated circuit can be damaged by ESD if you don't pay attention to ESD protection. SGMICRO recommends that all integrated circuits be handled with appropriate precautions. Failure to observe proper handling and installation procedures can cause damage. ESD damage can range from subtle performance degradation to complete device failure. Precision integrated circuits may be more susceptible to damage because very small parametric changes could cause the device not to meet its published specifications.

SGMICRO reserves the right to make any change in circuit design, specification or other related things if necessary without notice at any time. Please contact SGMICRO sales office to get the latest datasheet.

1.5MHz, Rail-to-Rail Output Operational Amplifiers

SGM8535/6/7/8

PIN CONFIGURATIONS (TOP VIEW)



NOTE: The location of pin 1 on the SOT-23-6 is determined by orienting the package marking as shown.

1.5MHz, Rail-to-Rail Output Operational Amplifiers

SGM8535/6/7/8

ELECTRICAL CHARACTERISTICS: $V_S = +5V$

(At $T_A = +25^\circ C$, $V_{OUT} = V_S/2$, unless otherwise noted.)

PARAMETER	CONDITIONS	MIN	TYP	MAX	UNITS
DC PERFORMANCE					
Input Offset Voltage (V_{OS})	$V_{CM} = V_S/2$		0.6	3.4	mV
	$-40^\circ C \leq T_A \leq +85^\circ C$			3.8	
Input Bias Current (I_B)			3		pA
Input Offset Current (I_{OS})			3		pA
Input Offset Voltage Drift	$V_{CM} = V_S/2$		1.5		$\mu V/^\circ C$
Open-Loop Gain (A_{OL})	$R_L = 2k\Omega$, $V_{OUT} = 0.2V$ to $4.8V$	80	90		dB
	$-40^\circ C \leq T_A \leq +85^\circ C$	75			
	$R_L = 100k\Omega$, $V_{OUT} = 0.035V$ to $4.965V$		103		dB
INPUT CHARACTERISTICS					
Input Common Mode Voltage Range (V_{CM})		-0.1		3.7	V
Common Mode Rejection Ratio (CMRR)	$V_{CM} = -0.1V$ to $3.7V$	70	85		dB
	$-40^\circ C \leq T_A \leq +85^\circ C$	65			
OUTPUT CHARACTERISTICS					
Output Voltage Swing from Rail	$R_L = 2k\Omega$		80	100	mV
	$-40^\circ C \leq T_A \leq +85^\circ C$			110	
Output Short Circuit Current (I_{SC})		22	35		mA
	$-40^\circ C \leq T_A \leq +85^\circ C$	18			
POWER-DOWN (SGM8537 only)					
Logic Low Voltage (V_{IL})				0.8	V
Logic High Voltage (V_{IH})		2			
POWER SUPPLY					
Quiescent Current (per Amplifier)	$I_{OUT} = 0mA$		80	130	μA
	$-40^\circ C \leq T_A \leq +85^\circ C$			165	
Supply Current when Disabled (SGM8537 only)			100	1500	nA
Power Supply Rejection Ratio (PSRR)	$V_S = +1.8V$ to $+5.5V$, $V_{CM} = 0.5V$	65	80		dB
	$-40^\circ C \leq T_A \leq +85^\circ C$	60			
DYNAMIC PERFORMANCE					
Gain-Bandwidth Product (GBP)	$R_L = 2k\Omega$, $C_L = 100pF$		1.5		MHz
Slew Rate	$V_{OUT} = 2V_{PP}$, $A_V = 1$		0.8		$V/\mu s$
Crosstalk	$f = 1kHz$		110		dB
Settling Time to 0.1% (t_s)	$V_{OUT} = 2V_{PP}$, $f = 1kHz$, $A_V = 1$, $R_L = 2k\Omega$, $C_L = 100pF$		3.5		μs
Overload Recovery Time	$R_L = 2k\Omega$, $A_V = -50$		7		μs
NOISE PERFORMANCE					
Input Voltage Noise (e_n)	$f = 1kHz$		30		nV/\sqrt{Hz}

1.5MHz, Rail-to-Rail Output Operational Amplifiers

SGM8535/6/7/8

ELECTRICAL CHARACTERISTICS: $V_S = +1.8V$

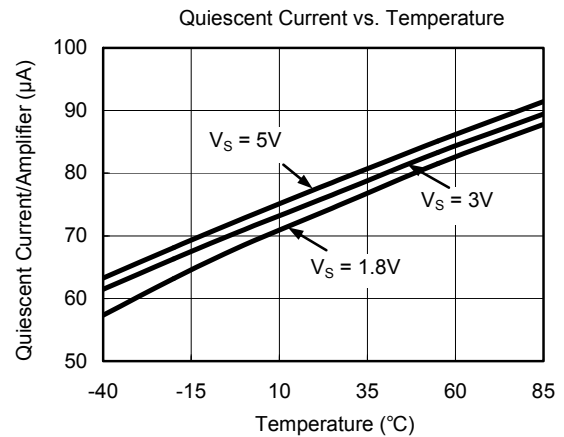
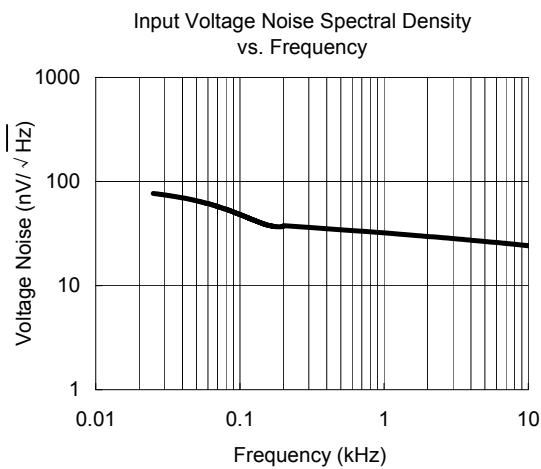
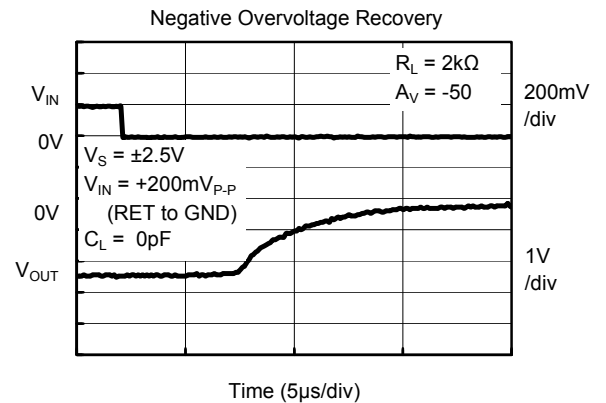
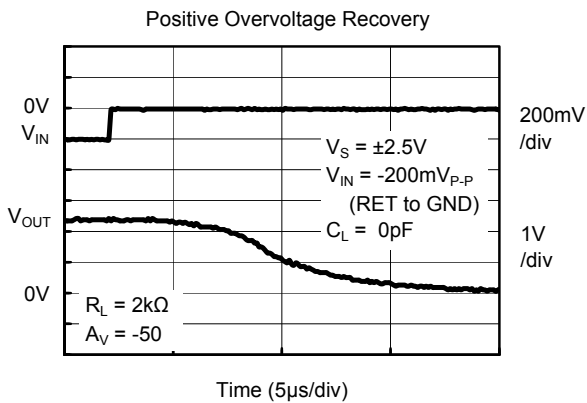
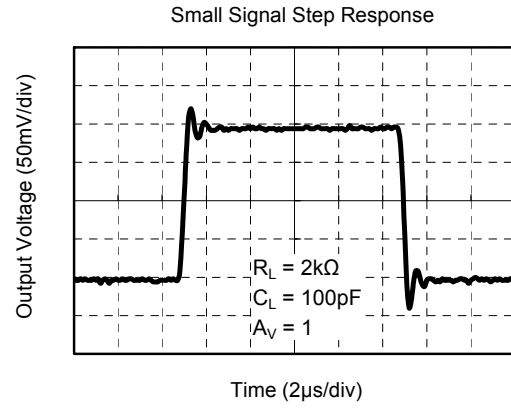
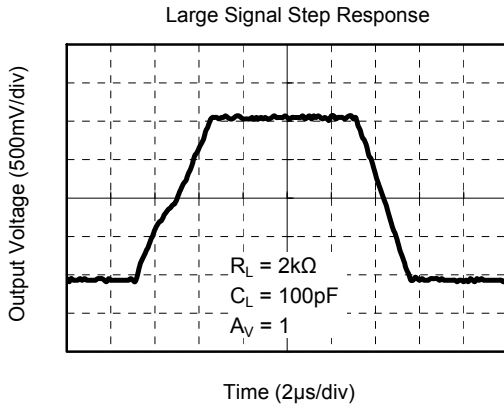
(At $T_A = +25^\circ C$, $V_{OUT} = V_S/2$, unless otherwise noted.)

PARAMETER	CONDITIONS	MIN	TYP	MAX	UNITS
DC PERFORMANCE					
Input Offset Voltage (V_{OS})	$V_{CM} = 0.5V$		0.6	3.5	mV
	$-40^\circ C \leq T_A \leq +85^\circ C$			4	
Input Bias Current (I_B)			3		pA
Input Offset Current (I_{OS})			3		pA
Input Offset Voltage Drift	$V_{CM} = 0.5V$		1.5		$\mu V/^\circ C$
Open-Loop Gain (A_{OL})	$R_L = 2k\Omega$, $V_{OUT} = 0.2V$ to $1.6V$	72	82		dB
	$-40^\circ C \leq T_A \leq +85^\circ C$	65			
	$R_L = 100k\Omega$, $V_{OUT} = 0.035V$ to $1.765V$		100		dB
INPUT CHARACTERISTICS					
Input Common Mode Voltage Range (V_{CM})		-0.1		0.5	V
Common Mode Rejection Ratio (CMRR)	$V_{CM} = -0.1V$ to $0.5V$	64	78		dB
	$-40^\circ C \leq T_A \leq +85^\circ C$	60			
OUTPUT CHARACTERISTICS					
Output Voltage Swing from Rail	$R_L = 2k\Omega$		55	70	mV
	$-40^\circ C \leq T_A \leq +85^\circ C$			100	
Output Short Circuit Current (I_{SC})		2.5	5		mA
	$-40^\circ C \leq T_A \leq +85^\circ C$	2			
POWER-DOWN (SGM8537 only)					
Logic Low Voltage (V_{IL})				0.4	V
Logic High Voltage (V_{IH})		1.3			
POWER SUPPLY					
Quiescent Current (per Amplifier)	$I_{OUT} = 0mA$		75	125	μA
	$-40^\circ C \leq T_A \leq +85^\circ C$			160	
Supply Current when Disabled (SGM8537 only)			10	1200	nA
DYNAMIC PERFORMANCE					
Gain-Bandwidth Product (GBP)	$R_L = 2k\Omega$, $C_L = 100pF$		1.3		MHz
Slew Rate	$V_{OUT} = 0.5V_{PP}$, $A_V = 1$		0.7		$V/\mu s$
Crosstalk	$f = 1kHz$		110		dB
Settling Time to 0.1% (t_S)	$V_{OUT} = 0.5V_{PP}$, $f = 1kHz$, $A_V = 1$, $R_L = 2k\Omega$, $C_L = 100pF$		2.5		μs
Overload Recovery Time	$R_L = 2k\Omega$, $A_V = -50$		6		μs
NOISE PERFORMANCE					
Input Voltage Noise (e_n)	$f = 1kHz$		35		nV/\sqrt{Hz}

SGM8535/6/7/8

TYPICAL PERFORMANCE CHARACTERISTICS

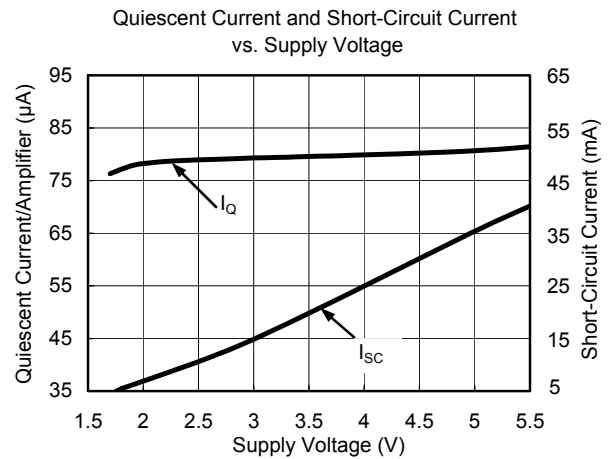
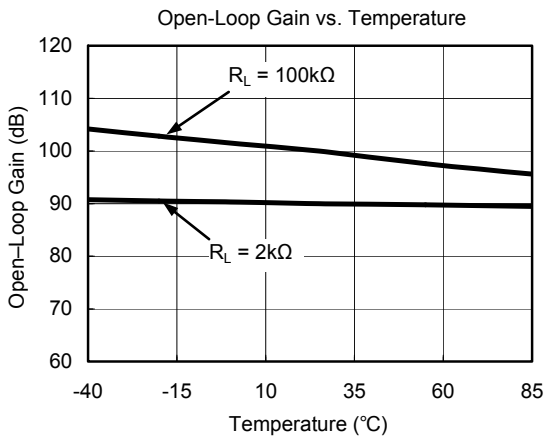
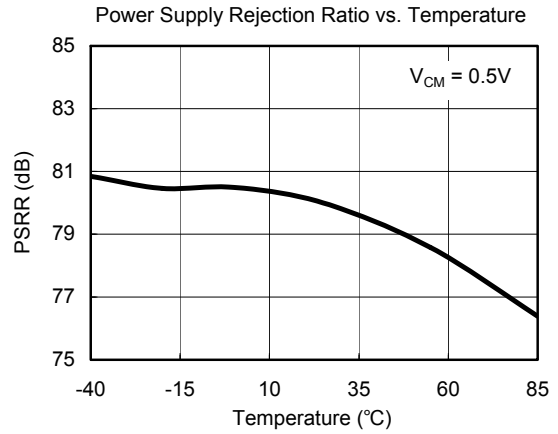
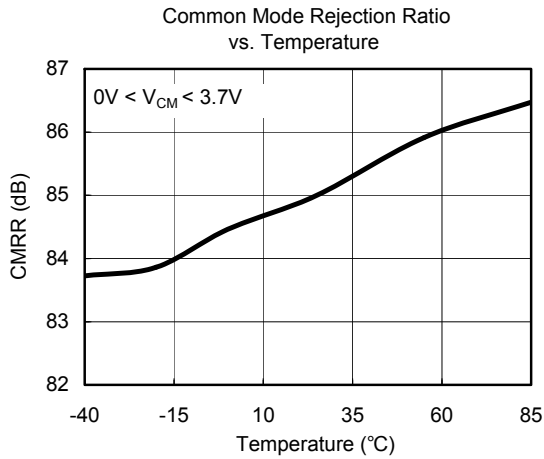
(At $T_A = +25^\circ\text{C}$, $V_S = +5\text{V}$, unless otherwise noted.)



SGM8535/6/7/8

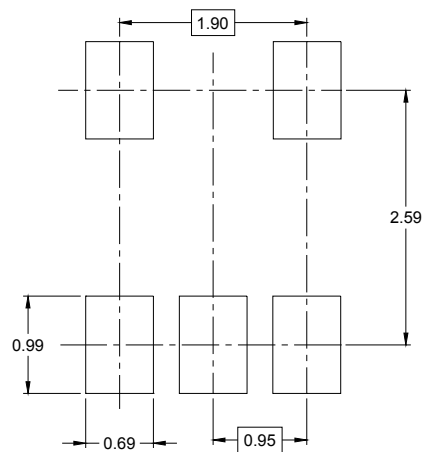
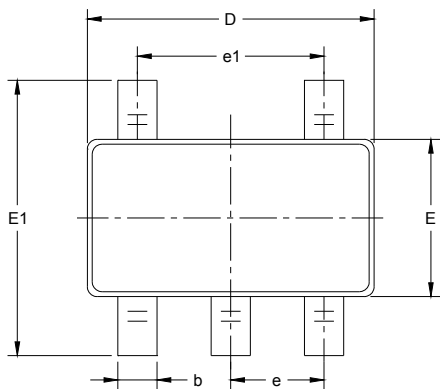
TYPICAL PERFORMANCE CHARACTERISTICS

(At $T_A = +25^\circ\text{C}$, $V_S = +5\text{V}$, unless otherwise noted.)

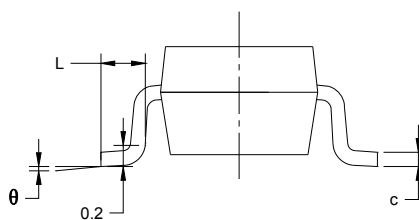
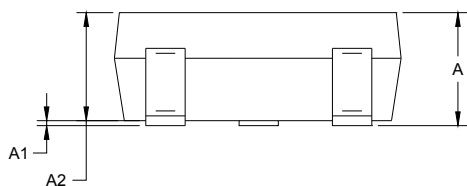


PACKAGE OUTLINE DIMENSIONS

SOT-23-5



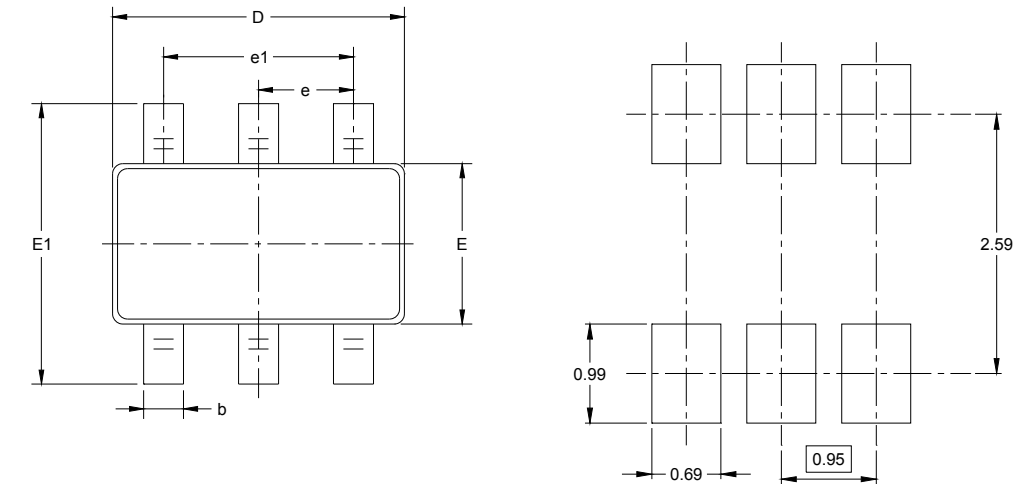
RECOMMENDED LAND PATTERN (Unit: mm)



Symbol	Dimensions In Millimeters		Dimensions In Inches	
	MIN	MAX	MIN	MAX
A	1.050	1.250	0.041	0.049
A1	0.000	0.100	0.000	0.004
A2	1.050	1.150	0.041	0.045
b	0.300	0.500	0.012	0.020
c	0.100	0.200	0.004	0.008
D	2.820	3.020	0.111	0.119
E	1.500	1.700	0.059	0.067
E1	2.650	2.950	0.104	0.116
e	0.950 BSC		0.037 BSC	
e1	1.900 BSC		0.075 BSC	
L	0.300	0.600	0.012	0.024
theta	0°	8°	0°	8°

PACKAGE OUTLINE DIMENSIONS

SOT-23-6



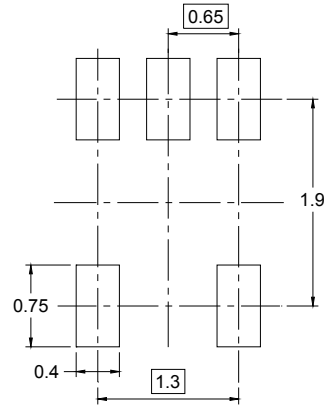
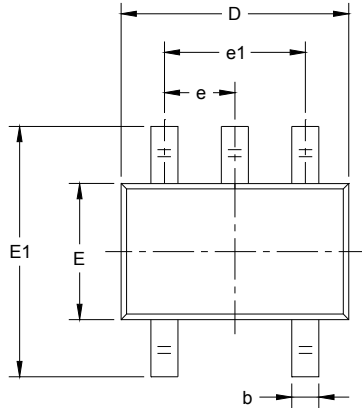
RECOMMENDED LAND PATTERN (Unit: mm)

Symbol	Dimensions In Millimeters		Dimensions In Inches	
	MIN	MAX	MIN	MAX
A	1.050	1.250	0.041	0.049
A1	0.000	0.100	0.000	0.004
A2	1.050	1.150	0.041	0.045
b	0.300	0.500	0.012	0.020
c	0.100	0.200	0.004	0.008
D	2.820	3.020	0.111	0.119
E	1.500	1.700	0.059	0.067
E1	2.650	2.950	0.104	0.116
e	0.950 BSC		0.037 BSC	
e1	1.900 BSC		0.075 BSC	
L	0.300	0.600	0.012	0.024
θ	0°	8°	0°	8°

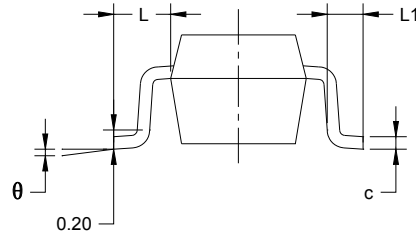
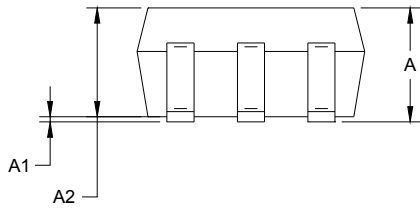
SGM8535/6/7/8

PACKAGE OUTLINE DIMENSIONS

SC70-5



RECOMMENDED LAND PATTERN (Unit: mm)

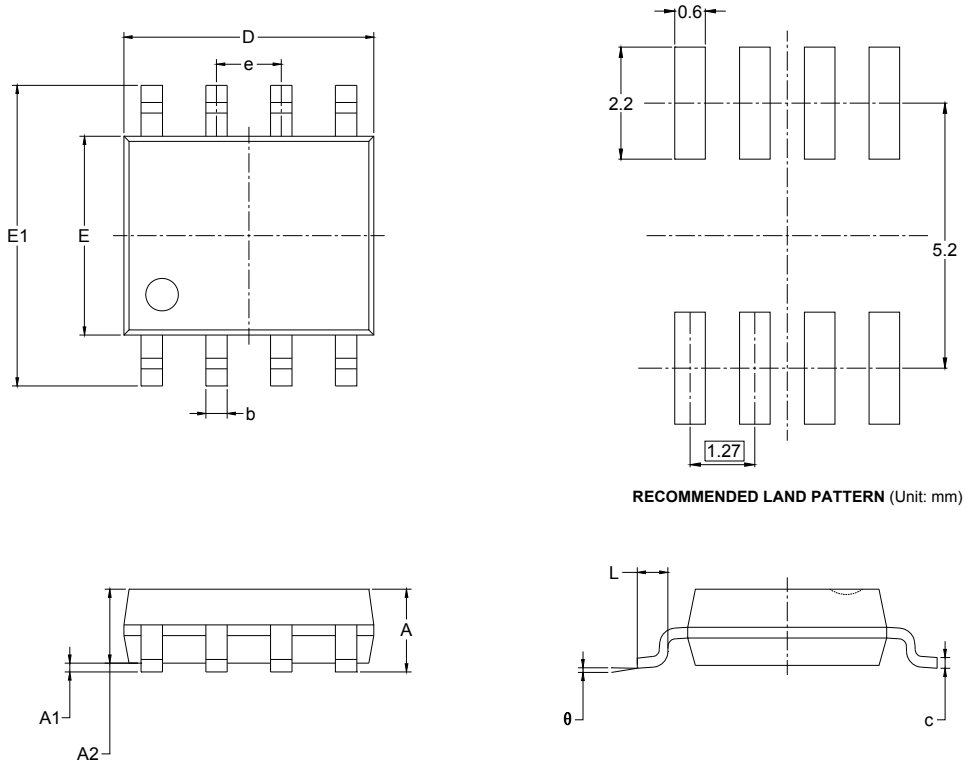


Symbol	Dimensions In Millimeters		Dimensions In Inches	
	MIN	MAX	MIN	MAX
A	0.900	1.100	0.035	0.043
A1	0.000	0.100	0.000	0.004
A2	0.900	1.000	0.035	0.039
b	0.150	0.350	0.006	0.014
c	0.080	0.150	0.003	0.006
D	2.000	2.200	0.079	0.087
E	1.150	1.350	0.045	0.053
E1	2.150	2.450	0.085	0.096
e	0.65 TYP		0.026 TYP	
e1	1.300 BSC		0.051 BSC	
L	0.525 REF		0.021 REF	
L1	0.260	0.460	0.010	0.018
θ	0°	8°	0°	8°

SGM8535/6/7/8

PACKAGE OUTLINE DIMENSIONS

SOIC-8

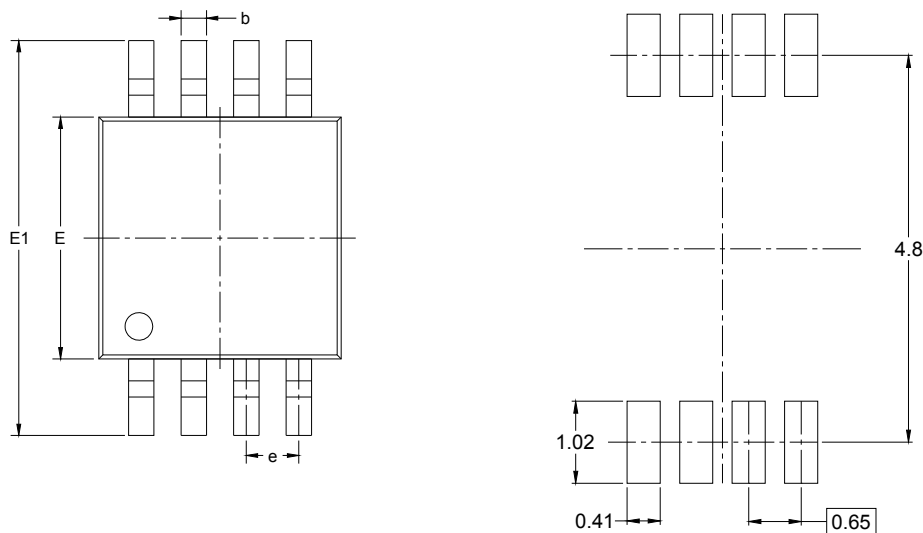


RECOMMENDED LAND PATTERN (Unit: mm)

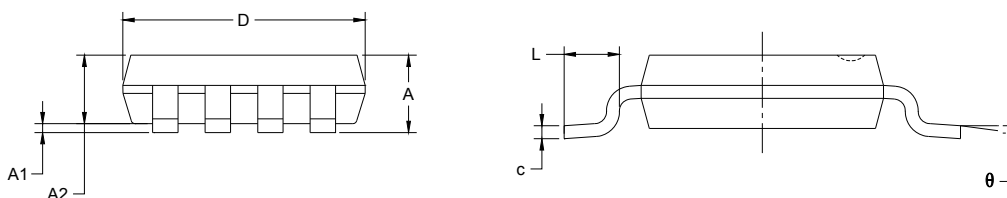
Symbol	Dimensions In Millimeters		Dimensions In Inches	
	MIN	MAX	MIN	MAX
A	1.350	1.750	0.053	0.069
A1	0.100	0.250	0.004	0.010
A2	1.350	1.550	0.053	0.061
b	0.330	0.510	0.013	0.020
c	0.170	0.250	0.006	0.010
D	4.700	5.100	0.185	0.200
E	3.800	4.000	0.150	0.157
E1	5.800	6.200	0.228	0.244
e	1.27 BSC		0.050 BSC	
L	0.400	1.270	0.016	0.050
θ	0°	8°	0°	8°

PACKAGE OUTLINE DIMENSIONS

MSOP-8



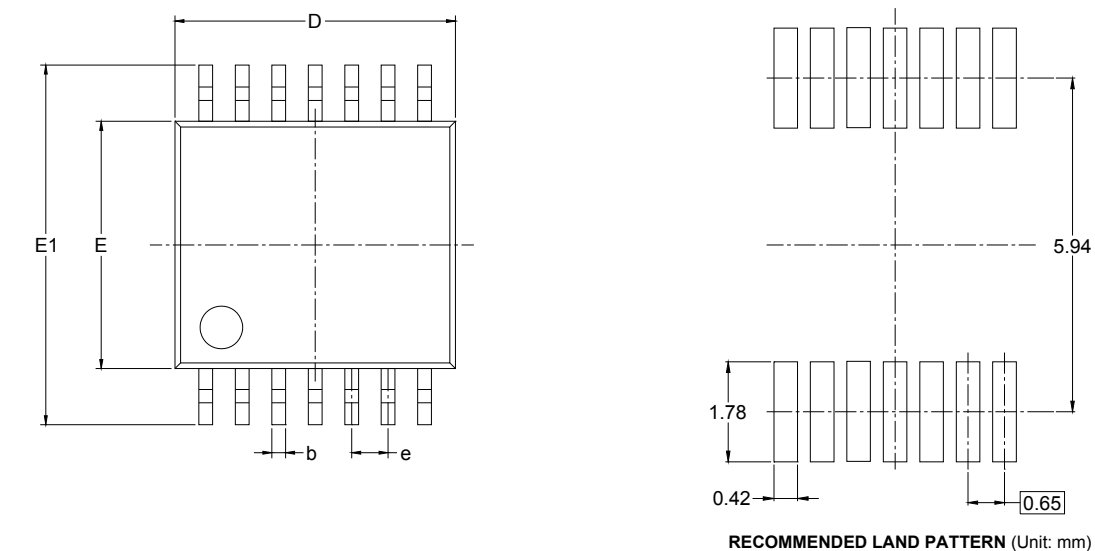
RECOMMENDED LAND PATTERN (Unit: mm)



Symbol	Dimensions In Millimeters		Dimensions In Inches	
	MIN	MAX	MIN	MAX
A	0.820	1.100	0.032	0.043
A1	0.020	0.150	0.001	0.006
A2	0.750	0.950	0.030	0.037
b	0.250	0.380	0.010	0.015
c	0.090	0.230	0.004	0.009
D	2.900	3.100	0.114	0.122
E	2.900	3.100	0.114	0.122
E1	4.750	5.050	0.187	0.199
e	0.650 BSC		0.026 BSC	
L	0.400	0.800	0.016	0.031
θ	0°	6°	0°	6°

PACKAGE OUTLINE DIMENSIONS

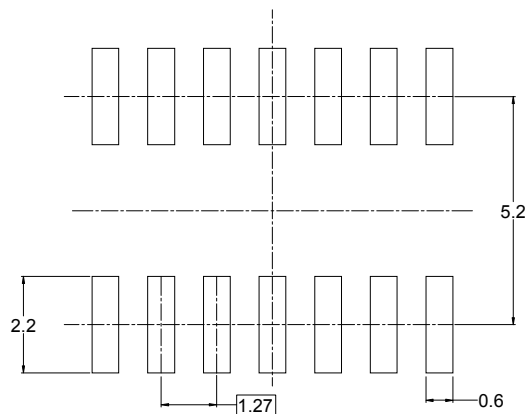
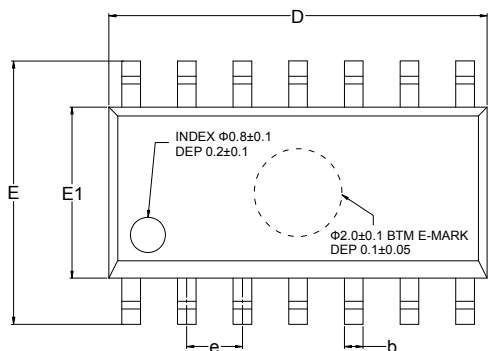
TSSOP-14



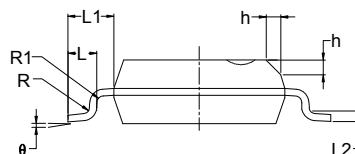
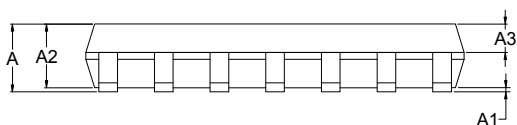
Symbol	Dimensions In Millimeters		Dimensions In Inches	
	MIN	MAX	MIN	MAX
A		1.100		0.043
A1	0.050	0.150	0.002	0.006
A2	0.800	1.000	0.031	0.039
b	0.190	0.300	0.007	0.012
c	0.090	0.200	0.004	0.008
D	4.900	5.100	0.193	0.201
E	4.300	4.500	0.169	0.177
E1	6.250	6.550	0.246	0.258
e	0.650 BSC		0.026 BSC	
L	0.500	0.700	0.02	0.028
H	0.25 TYP		0.01 TYP	
θ	1°	7°	1°	7°

PACKAGE OUTLINE DIMENSIONS

SOIC-14



RECOMMENDED LAND PATTERN (Unit: mm)

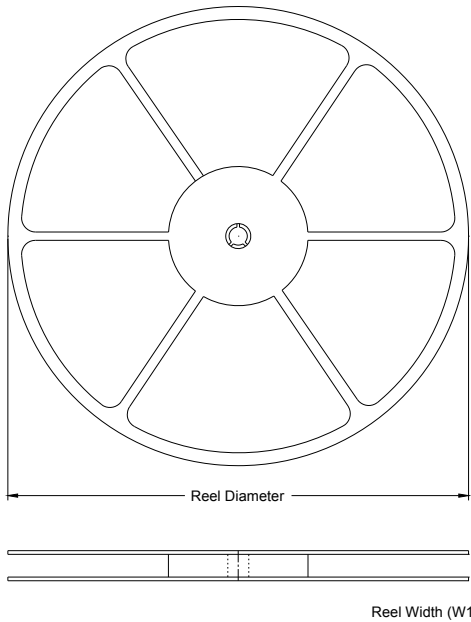


Symbol	Dimensions In Millimeters			Dimensions In Inches		
	MIN	MOD	MAX	MIN	MOD	MAX
A	1.35		1.75	0.053		0.069
A1	0.10		0.25	0.004		0.010
A2	1.25		1.65	0.049		0.065
A3	0.55		0.75	0.022		0.030
b	0.36		0.49	0.014		0.019
D	8.53		8.73	0.336		0.344
E	5.80		6.20	0.228		0.244
E1	3.80		4.00	0.150		0.157
e	1.27 BSC			0.050 BSC		
L	0.45		0.80	0.018		0.032
L1	1.04 REF			0.040 REF		
L2	0.25 BSC			0.01 BSC		
R	0.07			0.003		
R1	0.07			0.003		
h	0.30		0.50	0.012		0.020
θ	0°		8°	0°		8°

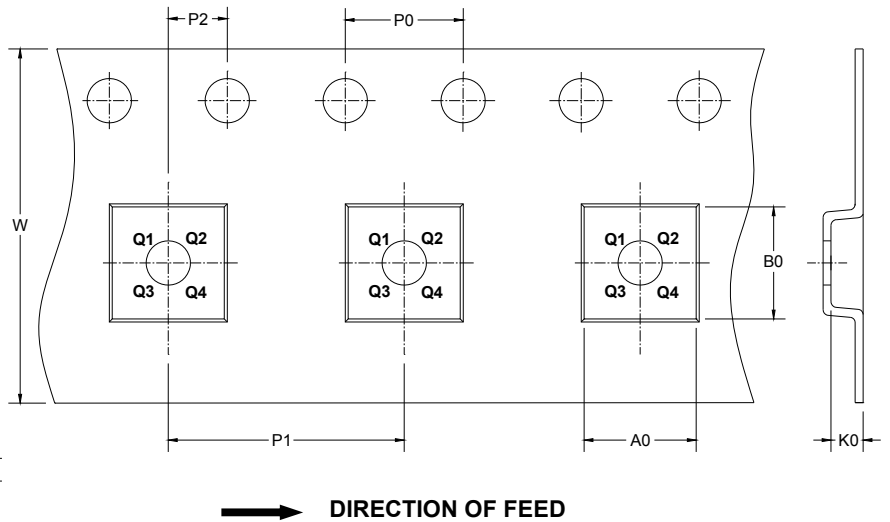
SGM8535/6/7/8

TAPE AND REEL INFORMATION

REEL DIMENSIONS



TAPE DIMENSIONS



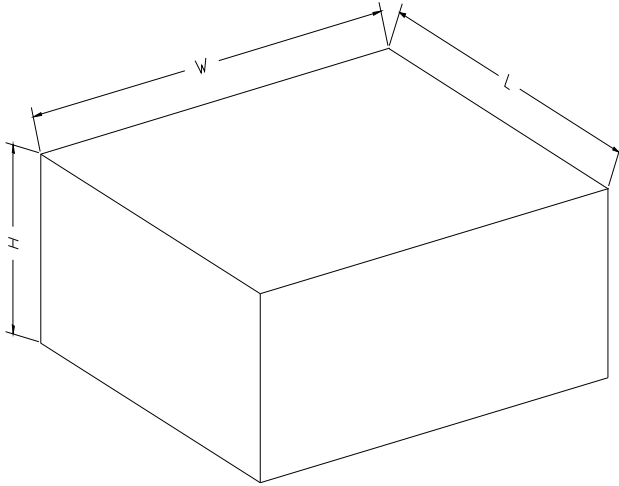
NOTE: The picture is only for reference. Please make the object as the standard.

KEY PARAMETER LIST OF TAPE AND REEL

Package Type	Reel Diameter	Reel Width W1 (mm)	A0 (mm)	B0 (mm)	K0 (mm)	P0 (mm)	P1 (mm)	P2 (mm)	W (mm)	Pin1 Quadrant
SOT-23-5	7"	9.5	3.17	3.23	1.37	4.0	4.0	2.0	8.0	Q3
SC70-5	7"	9.5	2.25	2.55	1.20	4.0	4.0	2.0	8.0	Q3
SOT-23-6	7"	9.5	3.17	3.23	1.37	4.0	4.0	2.0	8.0	Q3
SOIC-8	13"	12.4	6.4	5.4	2.1	4.0	8.0	2.0	12.0	Q1
MSOP-8	13"	12.4	5.2	3.3	1.5	4.0	8.0	2.0	12.0	Q1
SOIC-14	13"	16.4	6.6	9.3	2.1	4.0	8.0	2.0	16.0	Q1
TSSOP-14	13"	12.4	6.95	5.6	1.2	4.0	8.0	2.0	12.0	Q1

SGM8535/6/7/8

CARTON BOX DIMENSIONS



NOTE: The picture is only for reference. Please make the object as the standard.

KEY PARAMETER LIST OF CARTON BOX

Reel Type	Length (mm)	Width (mm)	Height (mm)	Pizza/Carton
7" (Option)	368	227	224	8
7"	442	410	224	18
13"	386	280	370	5